

**Spare part list - 55 HP Single Ignition
Crankcase 2703**

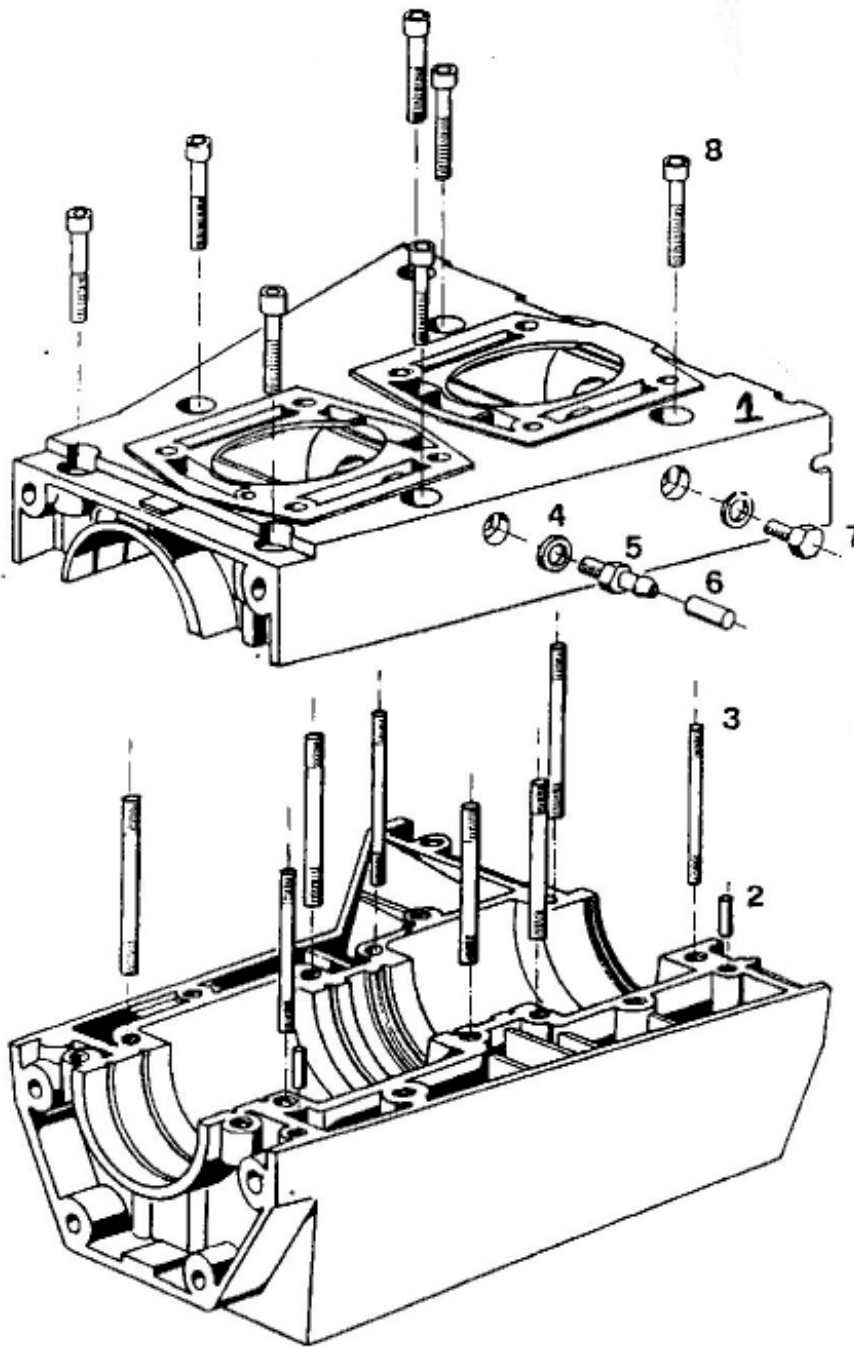


Figure	Qty.	Designation	Part No.	Neoteric Part No	Remark
1	1	Crankcase, complete	270 ABIU		Incl. Pos. 2, 3
2	2	Alignment pin	DIN 1474 5x12		
3	8	Stud screw	DIN 835 M8x85		Loctite 58629
4	2	Sealing ring	DIN 7603 A6.5x9.5x2A1	5629	
5	1	Hose nipple	270 K4	5630	
6	1	Rubber cap	083.18		
7	1	Hexagon head screw	DIN 933 M6x10		
8	7	Cylinder screw	DIN 912 M8x50		Md = 23 Nm. Loctite 242
	1	Set of gaskets	27/6	5861	