

Single Cylinder ignition 2703

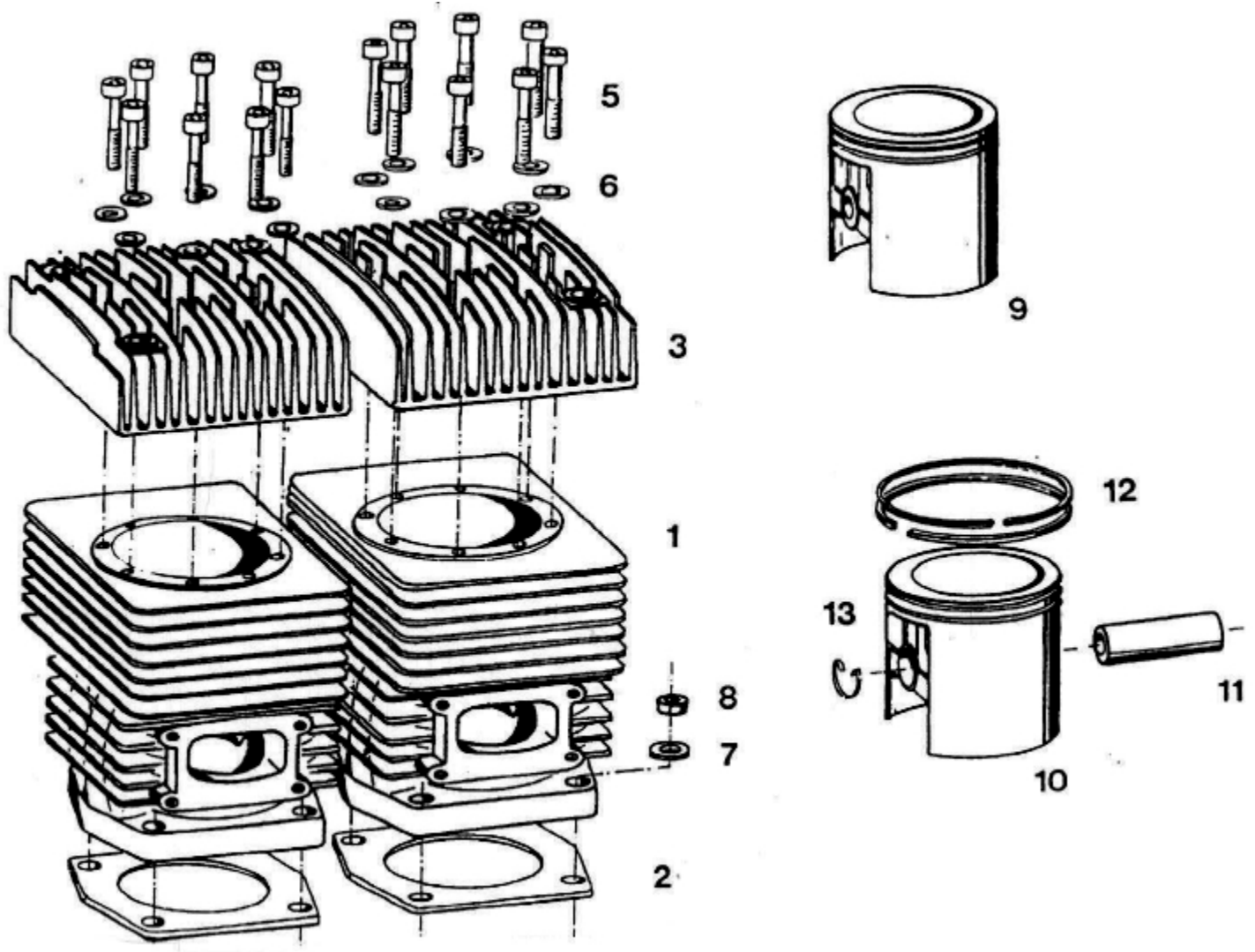


Fig. No.	Quantity	Designation	Part No.	Neoteric Part No	Remark
1	2	Cylinder	272 U1	5860	
2	2	Cylinder base gasket	272 A2	5455	
3	1	Cylinder head	F 302 A1	6181	Single Ignition
5	16	Cylinder screw	DIN 912 M6x35 12.9	6232	Md = 11 Nm
6	16	Washer	212 A5	5994	
7	8	Washer	190 A6	6162	
8	8	Hexagon head nut	DIN 934 M8		Md = 23...26 Nm
9	2	Piston set	014.72	5849	Incl. Pos. 11, 12, 13, 14
10	2	Piston	014.72/0		
11	2	Piston pin	014.72/4	5972	
12	4	Piston ring	014.72/1	6302	
13	4	Retaining ring	014.72/5	6301	