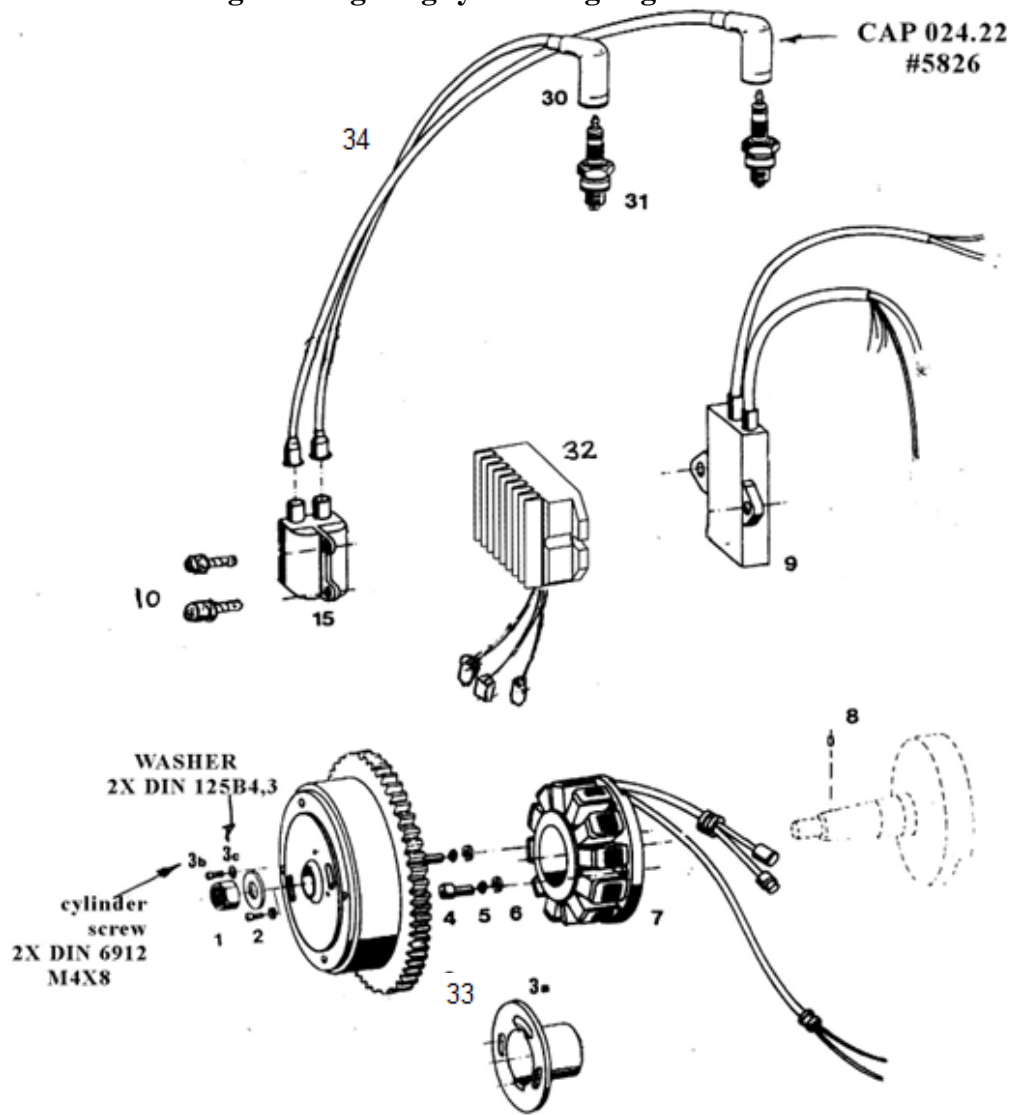


Ignition lighting system single ignition 2703



| Fig. No. | Qty. | Designation | Part No. | Neoteric Part No | Remark |
|----------|------|---------------------------|-----------------|------------------|-----------------------|
| 1 | 1 | Hexagon head nut | DIN 985 M16x1,5 | 6939 | Md=140-150 Nm |
| 2 | 1 | Washer | 161 A6 | | |
| 3 | 1 | Flywheel with gear ring | 021.43/2 | | |
| 4 | 2 | Cylinder screw | DIN 912 M5x20 | | |
| 5 | 4 | Washer | 212 A5 | 5994 | |
| 6 | 1 | Washer | DIN 125 B5,3 | 6936 | Md=4-4,5 Nm |
| 7 | 1 | Stator plate complete | 021.43/1 | 5591 | |
| 8 | 1 | Flywheel alignment pin | DIN 7 4m6x6 | | |
| 9 | 1 | CDI - Box | 021.43/6 | 5664 | Mounted with silicone |
| 10 | 2 | Coil Mounting Screw | M6XP1X12 SHC SS | 2469 | Included in item 15 |
| 15 | 2 | Ignition coil | 021.41/3/2 | 5682 | |
| 30 | 2 | Ignition cable, complete | 274 BA10U | 5827 | |
| 31 | 1 | Spark plug Denso | 023.29 | 5668 | W24 FSR - U10 |
| 32 | 1 | VAPE R82 DC Regulator 14V | 029.8 | 5338 | 5641 |
| 33 | | Magnet Support | 021.41/20 | 5724 | |
| 34 | 1 | Spark plug lead, short | | 5666 | |
| 34 | 1 | Spark plug lead, long | | 5665 | |
| 34 | 1 | Spark Plug lead set | | 5661 | Includes plug boots |